



Company name:

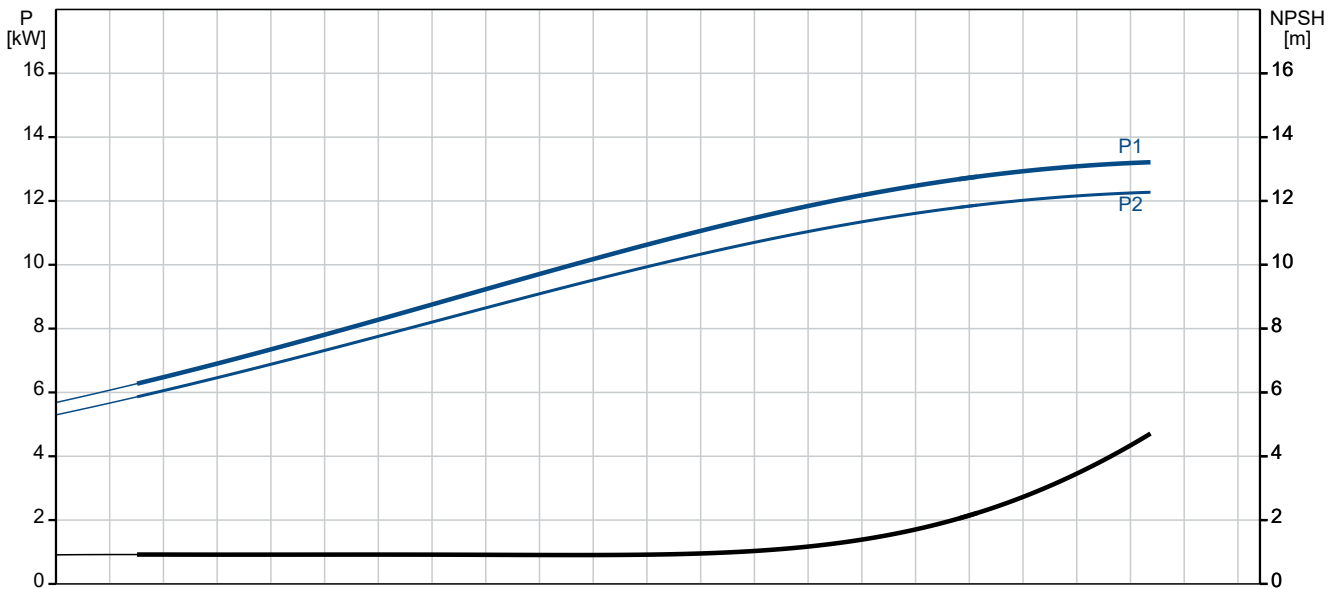
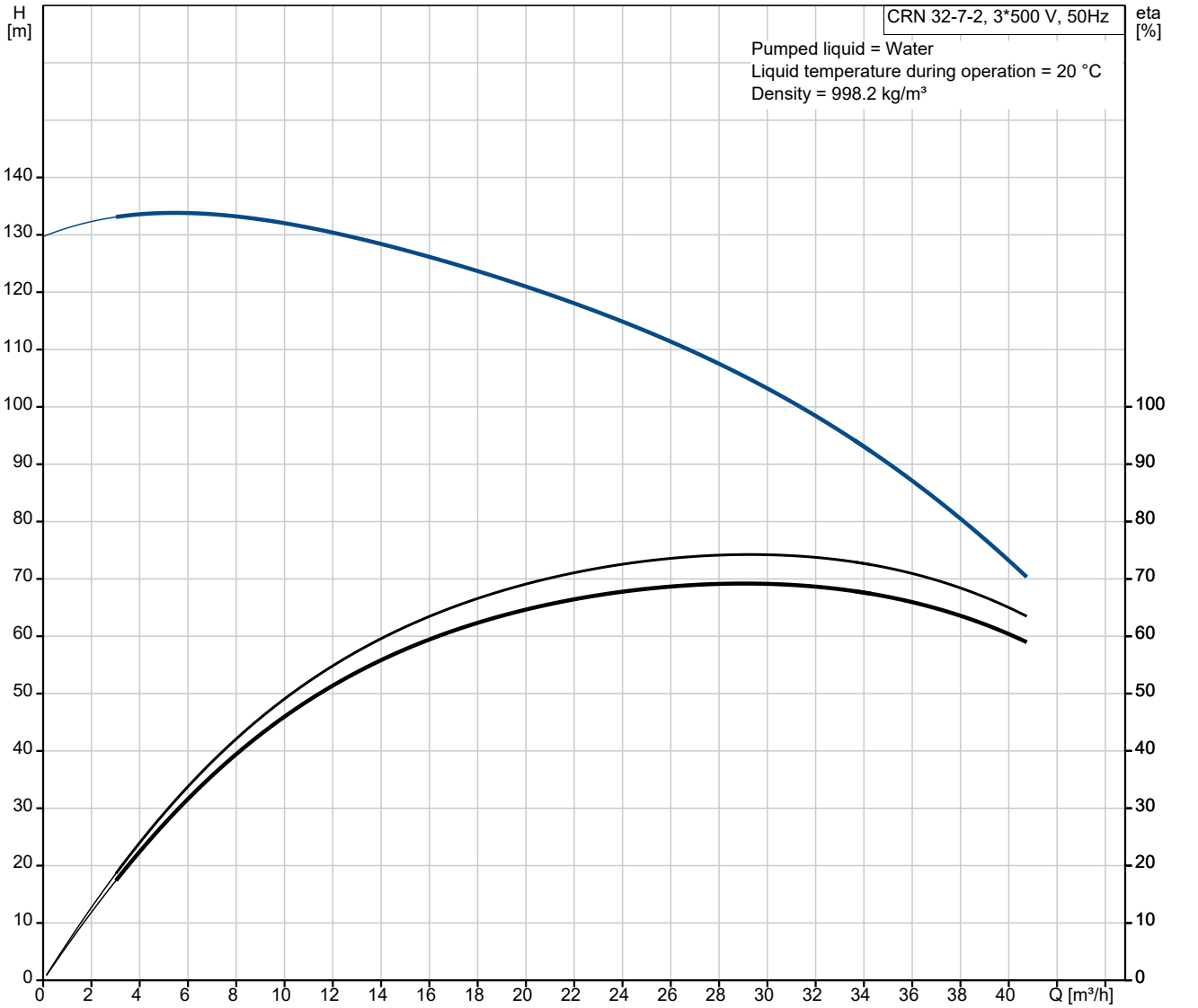
Created by:

Phone:

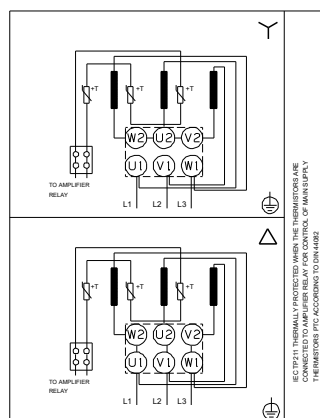
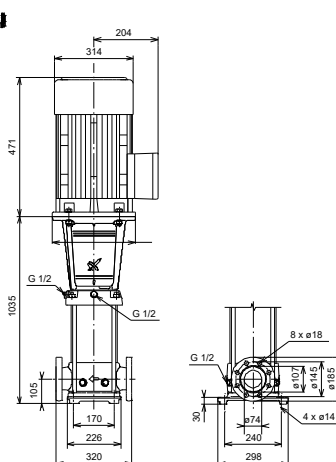
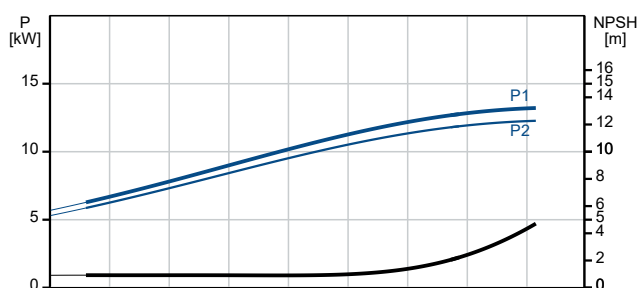
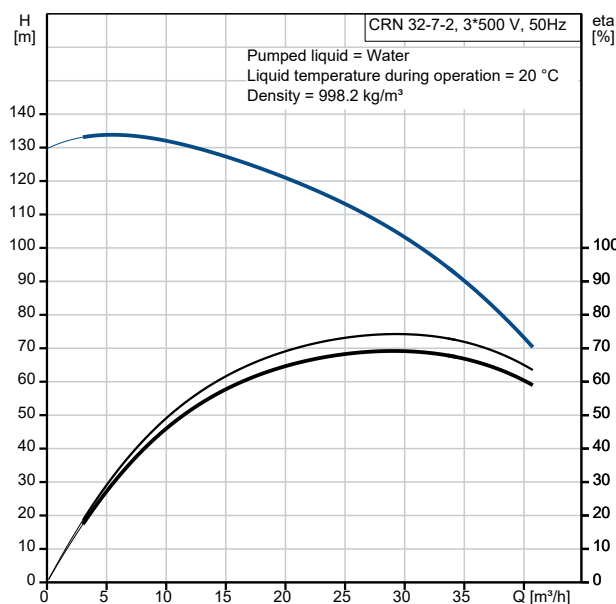
Date:

09/11/2022

### 97668093 CRN 32-7-2 A-F-G-E-HQQE 50 Hz



Description	Value
<b>General information:</b>	
Product name:	CRN 32-7-2 A-F-G-E-HQQE
Product No:	97668093
Price:	
<b>Technical:</b>	
Pump speed on which pump data are based:	2923 rpm
Number of stages:	7
Impellers:	7
Number of reduced-diameter impellers:	2
Code for shaft seal:	HQQE
Curve tolerance:	ISO9906:2012 3B
Pump version:	A
<b>Materials:</b>	
Base yes/no:	Stainless steel
Base yes/no:	EN 1.4408
Base yes/no:	AISI 316
Impeller:	Stainless steel
Impeller:	1.4401
Impeller:	AISI 316
Material code:	G
Code for rubber:	E
<b>Installation:</b>	
t max amb:	60 °C
Max pressure at stated temp:	16 bar / 120 °C
Max pressure at stated temp:	16 bar / -40 °C
Type of connection:	DIN
Size of inlet connection:	DN 65
Size of outlet connection:	DN 65
Pressure rating for connection:	PN 16 / PN 25 / PN 40
Flange size for motor:	FF300
Connect code:	F
<b>Liquid:</b>	
Pumped liquid:	Water
Liquid temperature range:	-40 .. 120 °C
Selected liquid temperature:	20 °C
Density:	998.2 kg/m <sup>3</sup>
<b>Electrical data:</b>	
Motor type:	160MD
IE Efficiency class:	IE3
Rated power - P2:	15 kW
Power (P2) required by pump:	15 kW
Mains frequency:	50 Hz
Rated voltage:	3 x 500-550D V
Rated current:	21.2-19.6 A
Starting current:	660-780 %
Cos phi - power factor:	0.89-0.87
Rated speed:	2930-2950 rpm
Efficiency:	IE3 91,9%
Motor efficiency at full load:	91.9-91.9 %
Motor efficiency at 3/4 load:	92.4 %
Motor efficiency at 1/2 load:	92.4 %
Number of poles:	2
Enclosure class (IEC 34-5):	55 Dust/Jetting
Insulation class (IEC 85):	F
Built-in motor protection:	PTC
Motor No:	85U87526
<b>Others:</b>	





Company name:

Created by:

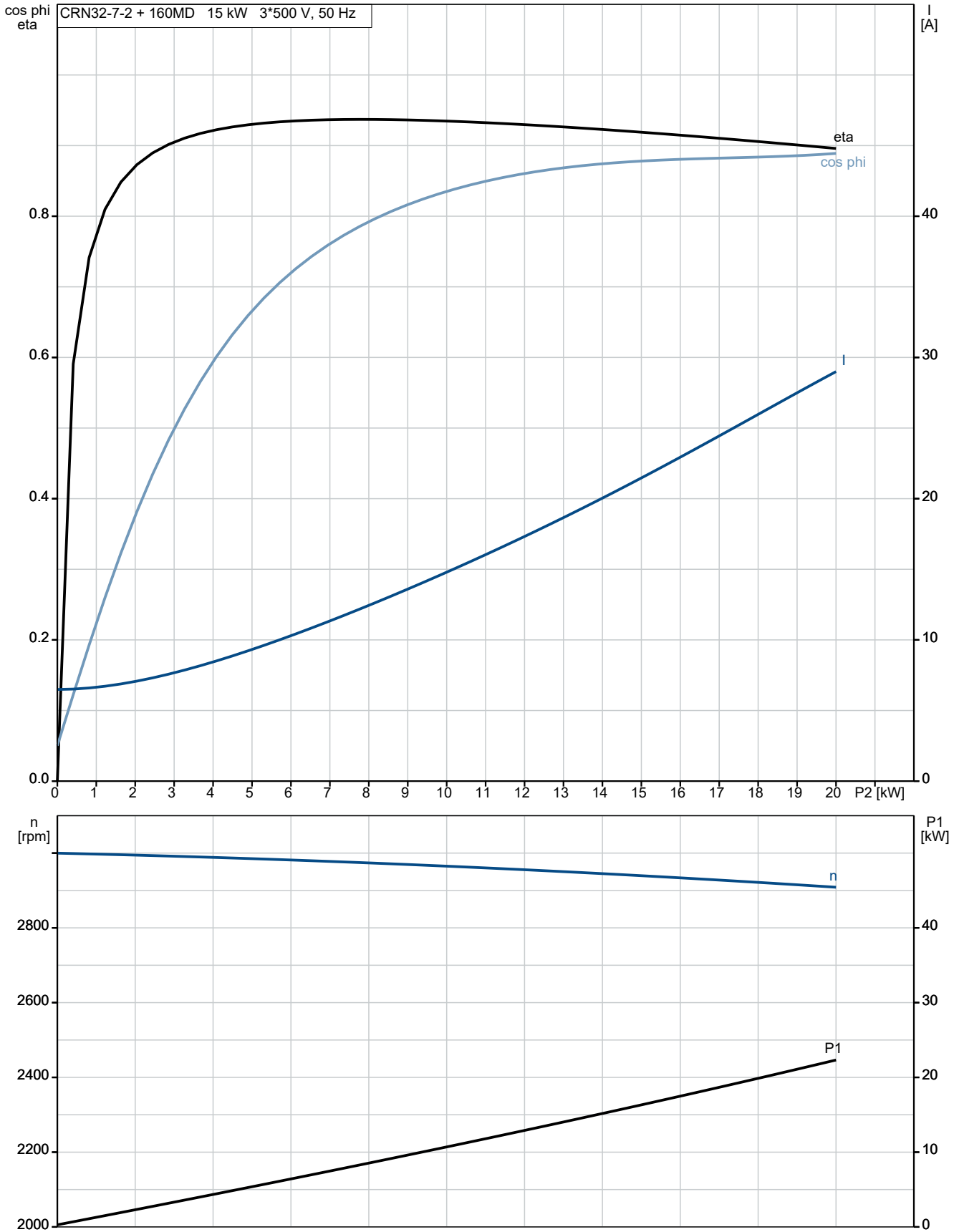
Phone:

Date:

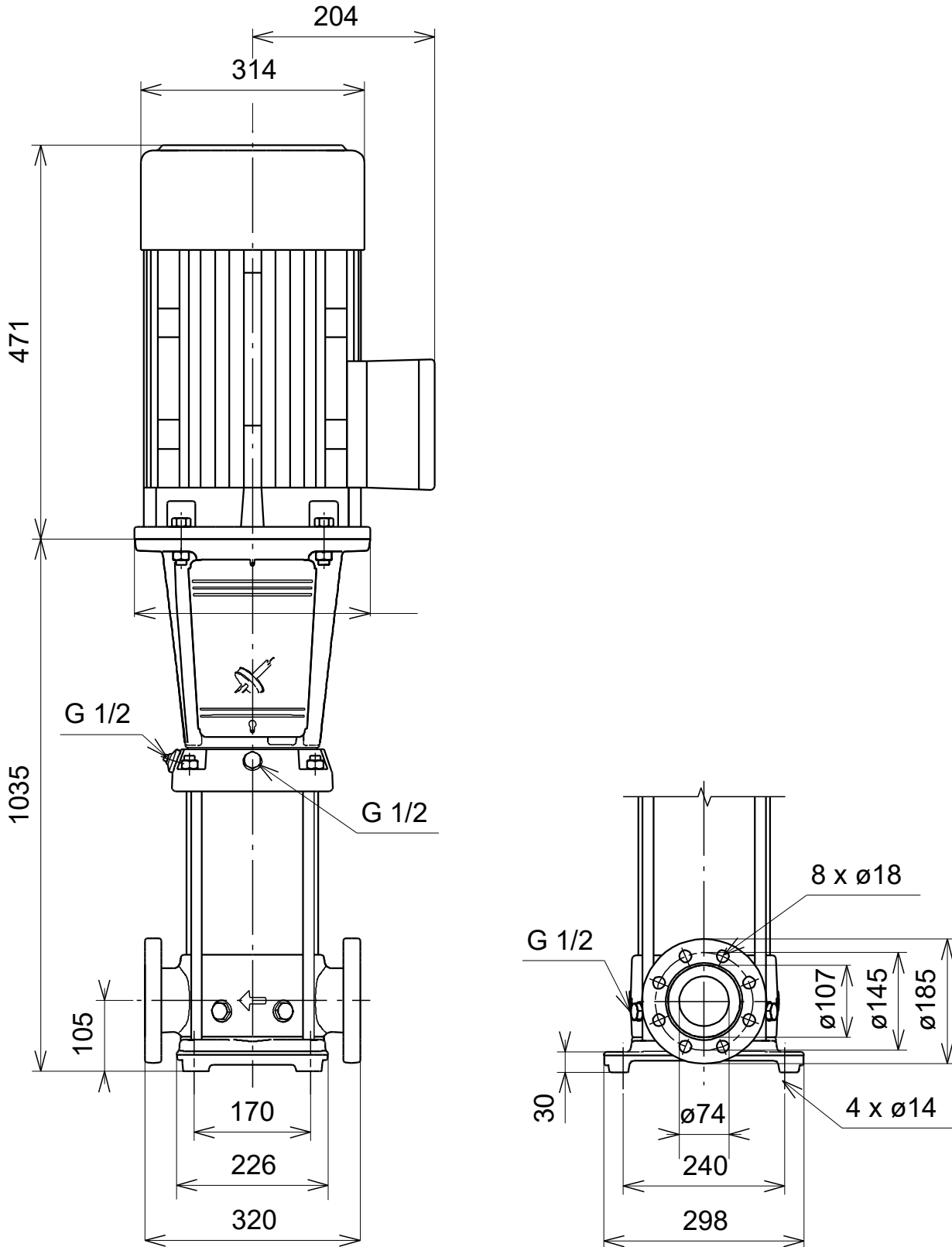
09/11/2022

Description	Value
Minimum efficiency index, MEI ≥:	0.7
Net weight:	178 kg
Gross weight:	211 kg
Shipping volume:	0.55 m <sup>3</sup>
Customer:	Loos

## 97668093 CRN 32-7-2 A-F-G-E-HQQE 50 Hz

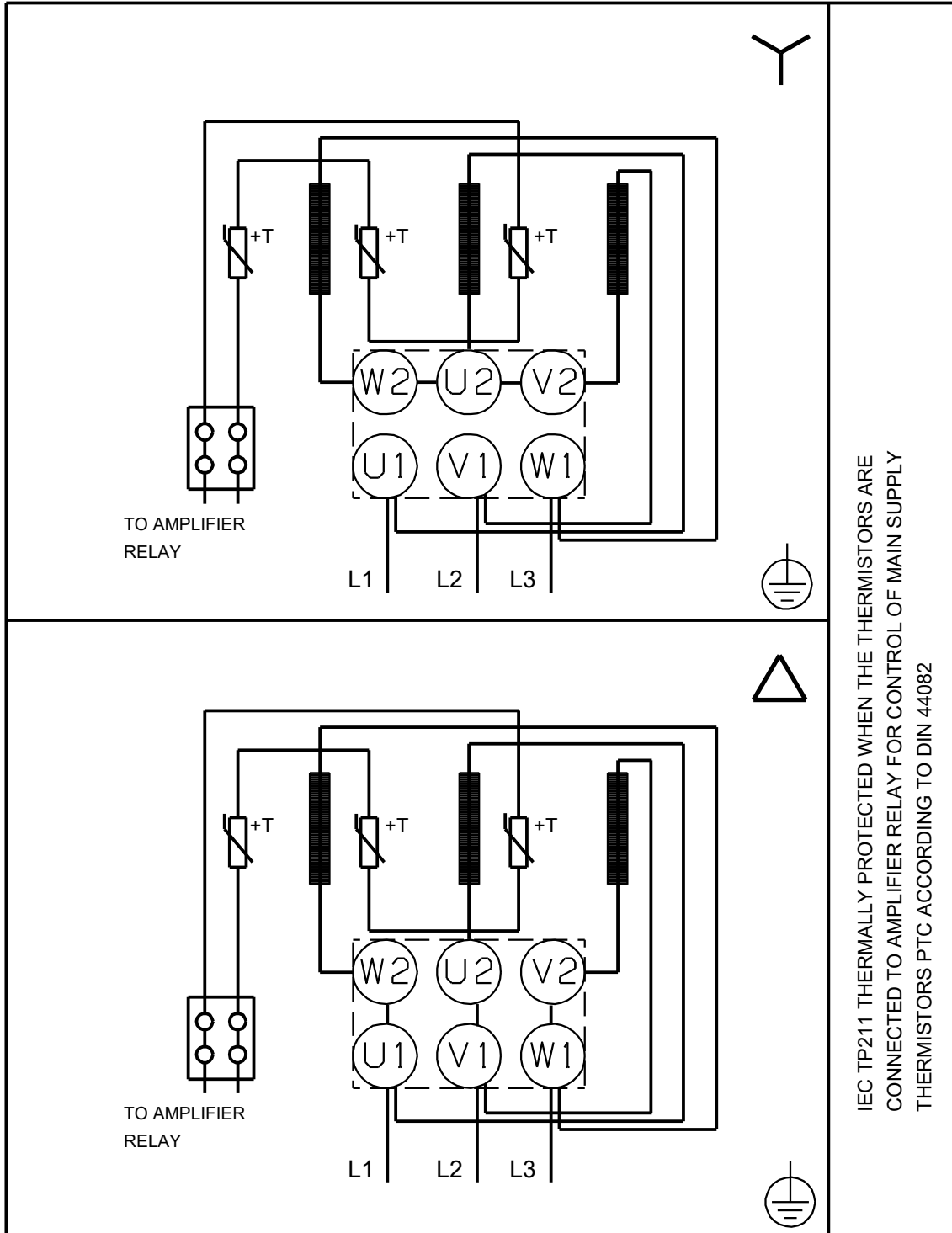


## 97668093 CRN 32-7-2 A-F-G-E-HQQE 50 Hz



Note! All units are in [mm] unless others are stated.  
Disclaimer: This simplified dimensional drawing does not show all details.

## 97668093 CRN 32-7-2 A-F-G-E-HQQE 50 Hz



Note! All units are in [mm] unless others are stated.



Company name:

Created by:

Phone:

Date:

09/11/2022

**Order Data:**

Position	Your pos.	Product name	Amount	Product No	Total
		CRN 32-7-2	1	97668093	Price on request